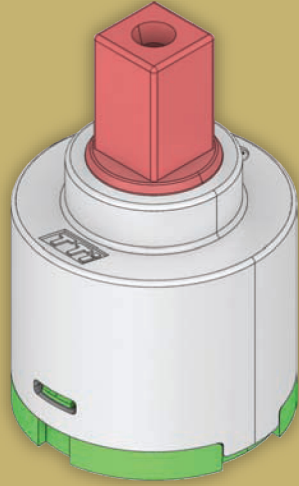
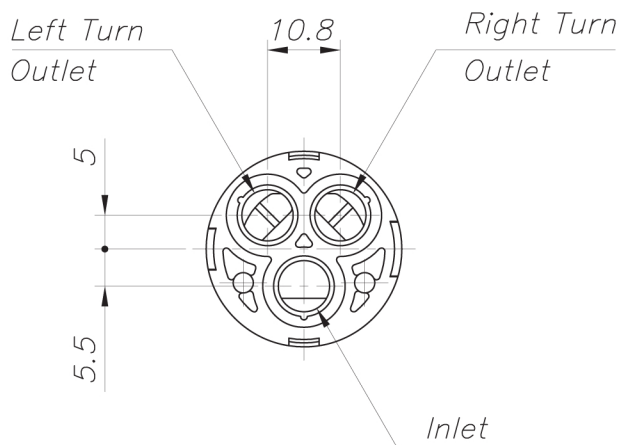
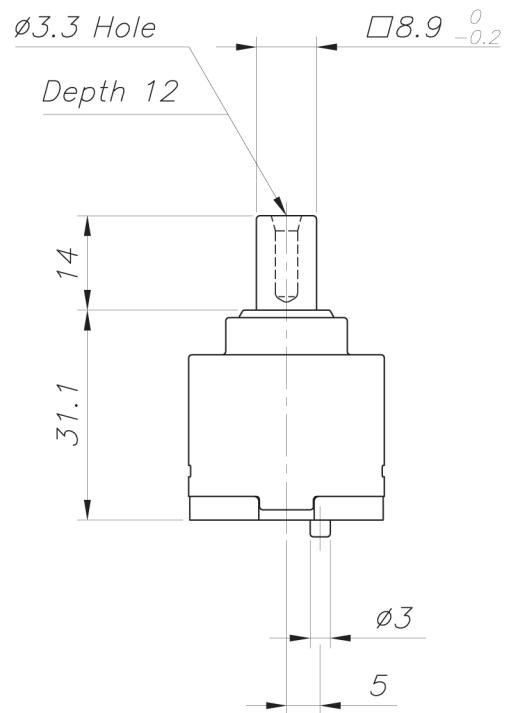
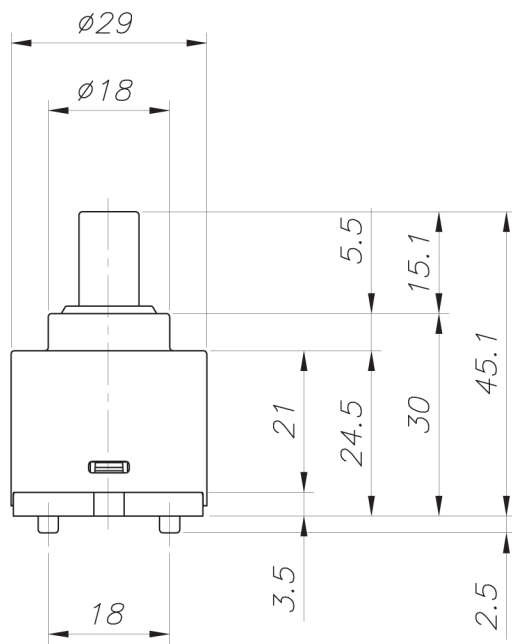
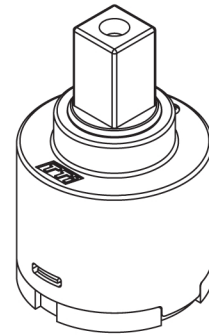
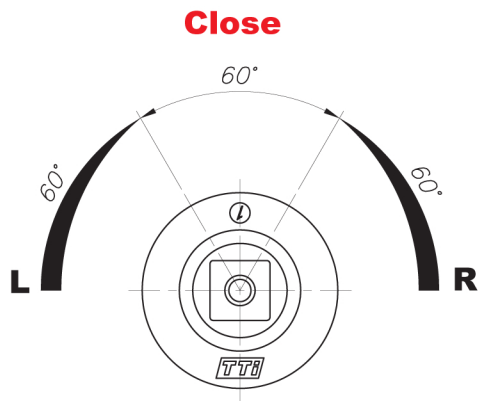


29mm Diverter Cartridges

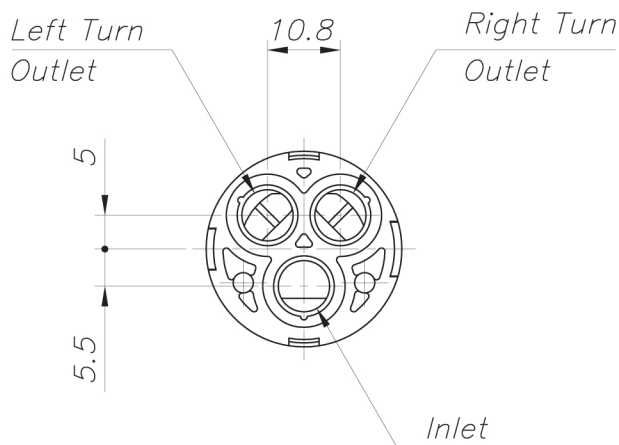
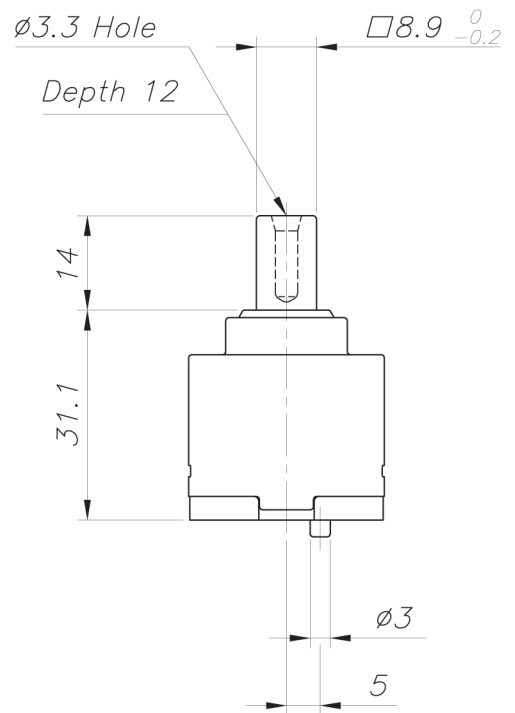
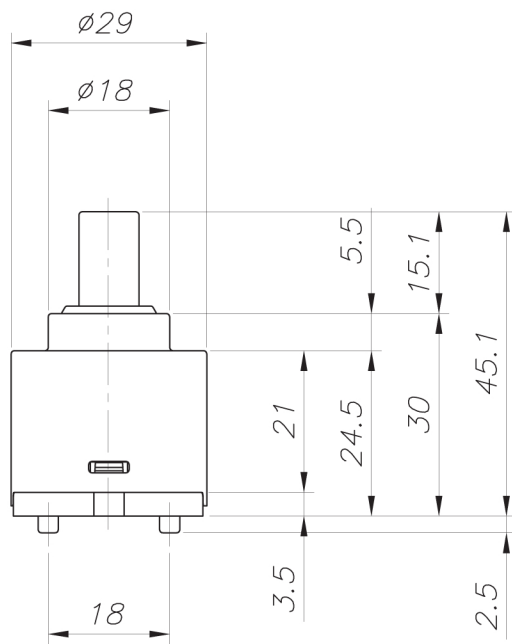
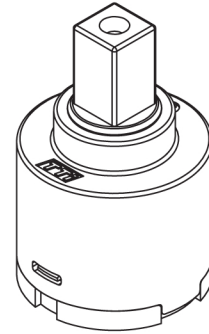
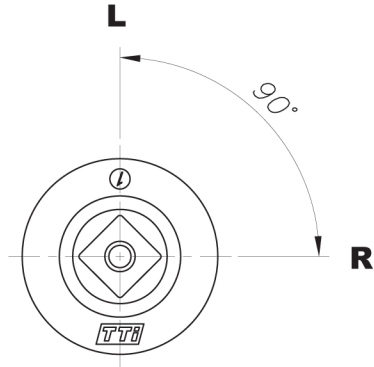


**MC29D-1
MC29D-2**

**MC29D-5
MC29D-6**

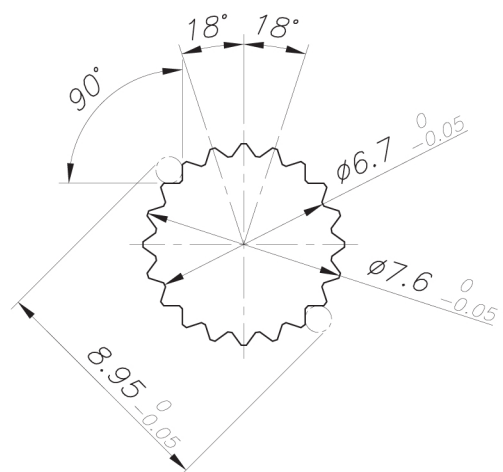
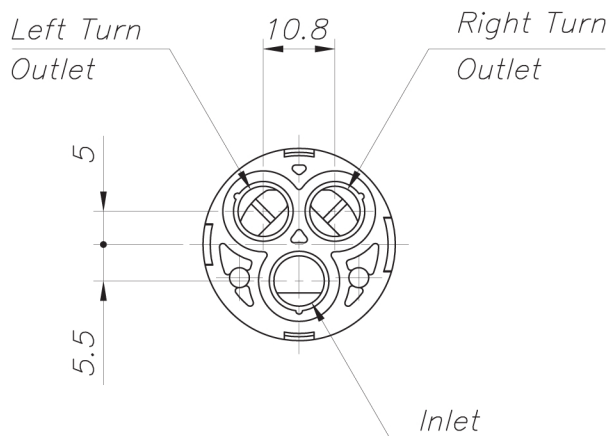
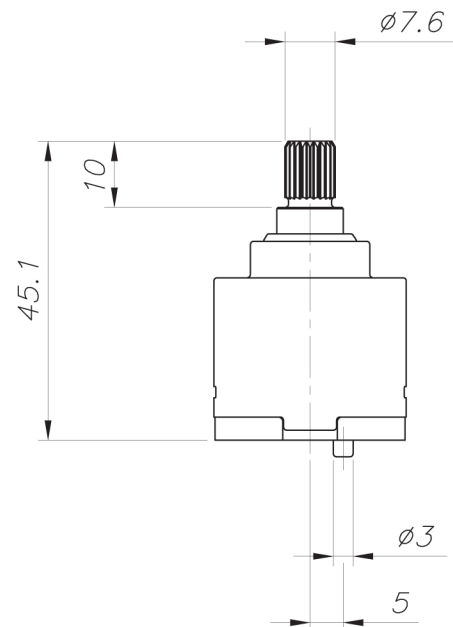
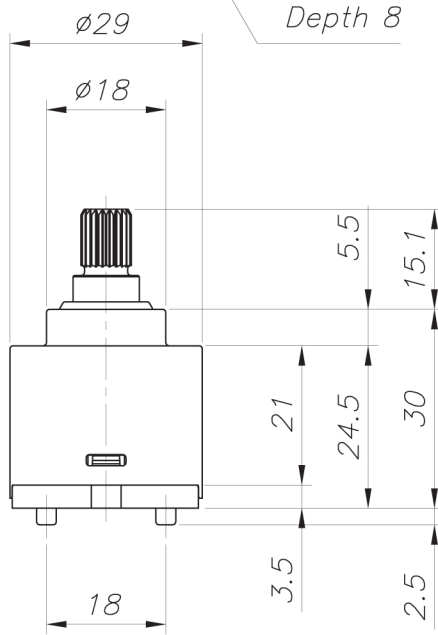
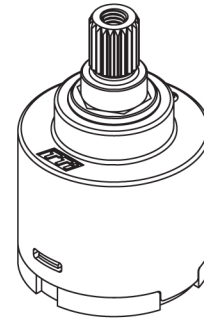
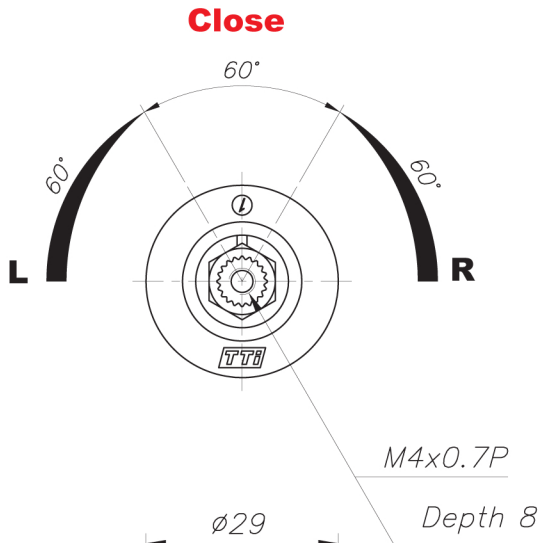


MC29D-1

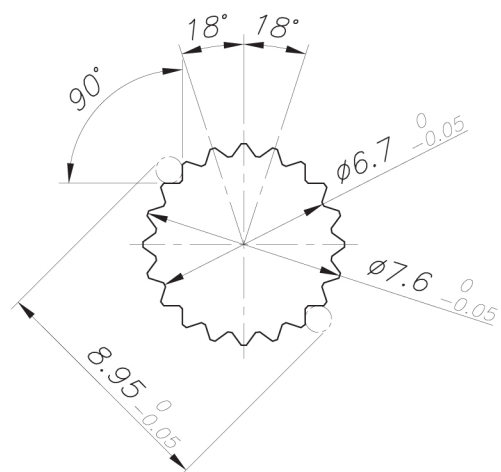
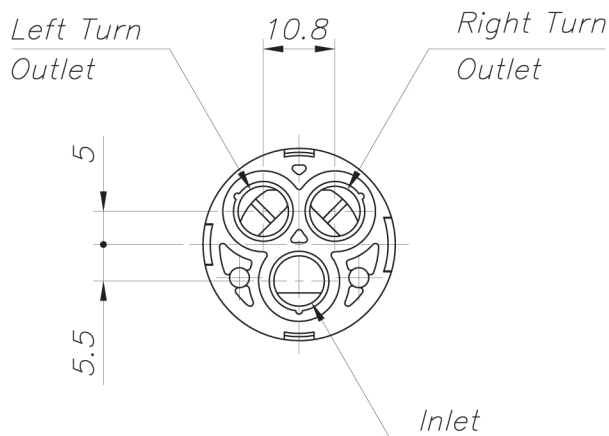
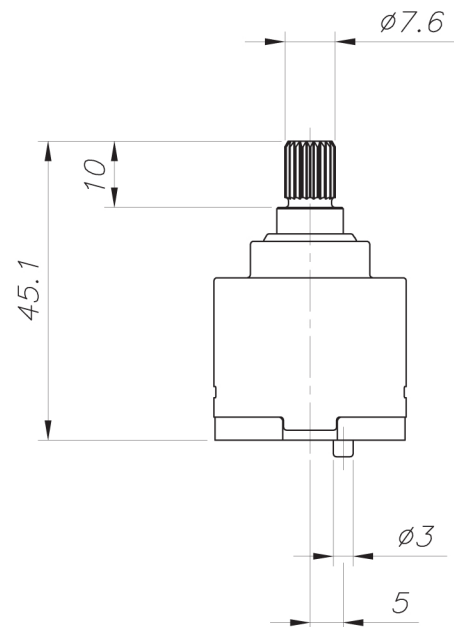
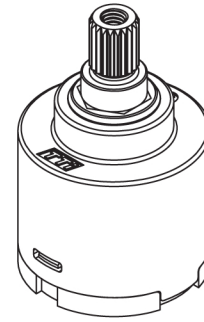
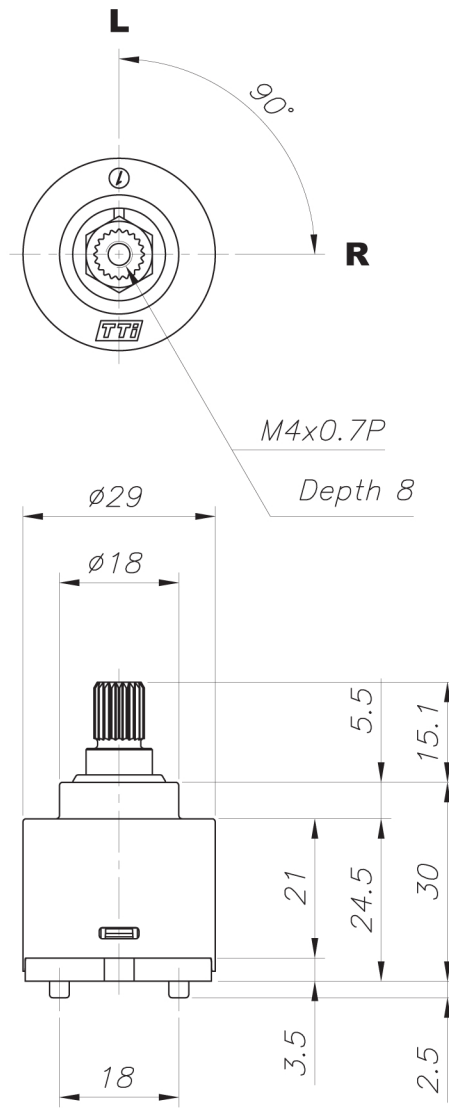


MC29D-2

MC29D-5



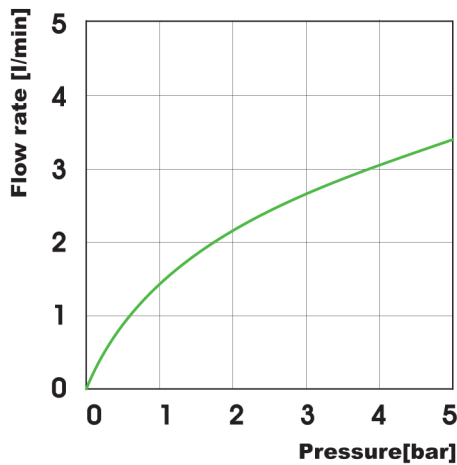
MC29D-6



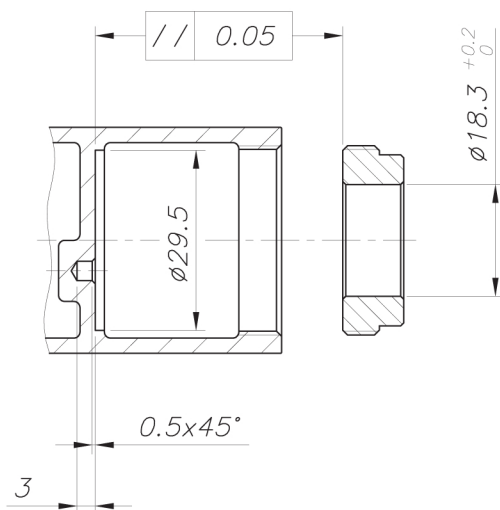
Cartridge Data

Model	MC29D-1	MC29D-2
Turn angle	180°	90°
Working torque	Max. 0.7Kg-Cm	
Pressure resistance	min. 25bars	
Working pressure	max. 7bars	
Max. temperature	90°C	
Max. noise	19db (A) at 3bars	
Endurance test	min. 500,000 cycles	
Cartridge tightening torque	100 ~ 110Kg-Cm	

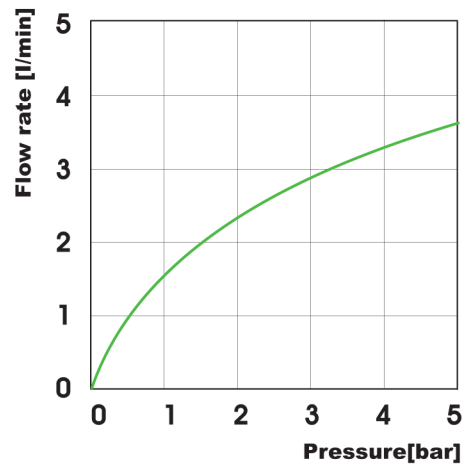
Flow Rate Curves



MC29D-1,5



Flow Rate Curves



MC29D-2,6

